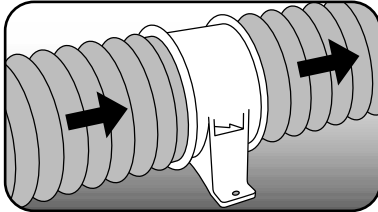


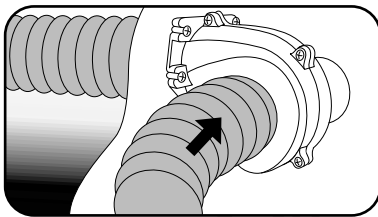
Jabsco dc blowers are designed to remove fumes from the engine compartments of gasoline powered boats prior to start-up and therefore conform to ISO 8846 MARINE and USCG Regulations for ignition protection. They are listed as N.M.M.A. type accepted and comply with ISO 9097 MARINE and are CE marked. AC models are **not** ignition protected.

Jabsco blowers can also be used for air intake or extraction in galleys, bilges, accommodation and head compartments. Only the heavy duty blowers are designed for continuous duty operation in commercial or heavy use applications. Blowers should not be installed close to sources of direct heat exceeding 55°C (180°F).



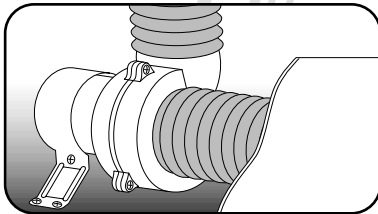
### In-Line Blowers

These are the most commonly used type of Blower, being the simplest and most economical design available. They have continuously rated motors and also have low amp draw. They are suitable for simple installations with short ducting lengths and a minimum of bends.



### Flangemount Blowers

Flangemount Blowers are of a radial design which gives the highest output in more complex installations with longer ducting lengths and/or multiple bends in the ducting. They are generally mounted directly onto a flat bulkhead using a mounting collar to connect to the discharge ducting. This allows a very neat installation on an engine room bulkhead.



### Flexmount Blowers

Flexmount Blowers are also of radial design but are designed to mount onto a mounting collar (which is supplied with the blower). They can be rotated inside the collar to allow the shortest ducting lengths and most convenient routings in confined spaces. Both ports are designed for slip-on flexible ducting connections.

## Blower Selection Guide

Engine Compartment Volume	Ducting Size	Type	Voltage	Blower Model
0-2m <sup>3</sup> (0-75ft <sup>3</sup> )	75mm (3")	In-Line	12v	30480-0000
	75mm (3")	In-Line	24v	30480-0024
	75mm (3")	Flangemount	12v	35115-0020
	75mm (3")	Flexmount	12v	35515-0010
2-2.5m <sup>3</sup> (75-90ft <sup>3</sup> )	75mm (3")	In-Line	12v	30480-0000
	75mm (3")	In-Line	24v	30480-0024
	75mm (3")	Flangemount	12v	34739-0010
	75mm (3")	Flangemount	24v	34739-0020
	75mm (3")	Flexmount	12v	36740-0000
	75mm (3")	Flexmount	12v	36740-0010
2.5-5m <sup>3</sup> (90-220ft <sup>3</sup> )	100mm (4")	In-Line	12v	30500-0000
	100mm (4")	In-Line	24v	30500-0024
	100mm (4")	Flangemount	12v	35400-0000
	100mm (4")	Flangemount	24v	35400-0010
	100mm (4")	Flexmount	12v	35440-0000
	100mm (4")	Flexmount	24v	35440-0010
	100mm (4")	DC Flangemount Heavy Duty	12v	35760-0092
	100mm (4")	DC Flangemount Heavy Duty	24v	35760-0094
	100mm (4")	DC Flexmount Heavy Duty	12v	35770-0092
	100mm (4")	DC Flexmount Heavy Duty	24v	35770-0094

This guide is based on International Standard ISO 11105 Small craft - Ventilation of petrol engine and/or petrol tank compartments which specifies minimum airflow for given engine compartment size.



## Compact In-Line Blowers

A New range of high efficiency continuous duty in-take or extraction blowers ideal for bilges, engine compartments, galleys and heads. These blowers feature our exclusive front and rear shaft seals and corrosion resistant motor housings for long life.

- Efficient high volume air flow.
- Very low current draw.
- Inlet and outlet duct locking tabs for secure attachment of ducting.
- Sealed motor shaft for moisture protection.
- Corrosion resistant motor housing
- ISO 8846 MARINE (Ignition Protection).
- ISO 9097 MARINE (Electric Fans).

### For 3.8m<sup>3</sup>/min (135 cfm) output.

**Fitting:** 75mm (3") ducting.  
**Size:** 13cm long x 9.5cm high x 12.5cm wide. (5<sup>1</sup>/<sub>4</sub>" x 3<sup>3</sup>/<sub>16</sub>" x 5")  
**Weight:** 0.5kg (1.2 lbs)  
**30480-0000** 12 Volt dc, fuse 4 amp.  
**30480-0024** 24 Volt dc, fuse 2.5 amp.

### For 6.7m<sup>3</sup>/min (235 cfm) output.

**Fitting:** 100mm (4") ducting.  
**Size:** 13cm high x 12cm high x 15cm wide (5<sup>1</sup>/<sub>4</sub>" x 4<sup>3</sup>/<sub>16</sub>" x 6")  
**Weight:** 0.6kg (1.3 lbs)  
**30500-0000** 12 Volt dc, fuse 7 amp.  
**30500-0024** 24 Volt dc, fuse 4 amp.



## Heavy Duty Flangemount Blowers

Heavy Duty Blowers are designed for applications such as commercial or high use engine room ventilation and extraction where a long life requirement demands heavy duty motors with long brush life. Built to provide the same high outputs as our standard specification blowers.

- 10,000 hr motor life for the heaviest of applications.
- Continuous duty.
- Efficient high volume air flow.
- Outlet flange mounts directly on bulkhead.
- Slip on inlet ducting connection.
- Low current draw.
- Corrosion resistant materials throughout.
- Dimensionally stable quiet running Delrin rotors.

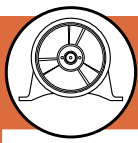
- ISO 8846 MARINE (Ignition Protection) - DC only.
- ISO 9097 MARINE (Electric Fans).

**Fitting:** 100mm (4") ducting.  
**Size:** 24cm long x 22cm wide x 23cm high (9<sup>1</sup>/<sub>2</sub>" x 8<sup>3</sup>/<sub>4</sub>" x 9")  
**Weight:** 2.7kg (6lb) dc  
 3.6kg (8lb) AC

### For 7.1m<sup>3</sup>/min (250cfm) output - 12, 24, 115V.

**35760-0092** 12 Volt dc Flangemount, fuse 15 amps.  
**35760-0094** 24 Volt dc Flangemount, fuse 10 amps.  
**36760-0115** 115 Volt AC 60Hz Flangemount, fuse 2 amps.





### Heavy Duty Flexmount Blowers

Flexmount Blowers are built to the same high specification as the Heavy Duty Flangemount Blowers for use as air intake or extraction systems in engine rooms, fuel compartments, galleys or heads.

- 10,000 hr motor life for the heaviest of applications.
- Continuous duty.
- Efficient high volume air flow.
- Flex mounting for 360° adjustable outlet.
- Slip on inlet ducting connections.
- Low current draw.
- Corrosion resistant materials throughout.
- Dimensionally stable quiet running Delrin rotors.
- ISO 8846 MARINE (Ignition Protection) - dc only.
- ISO 9097 MARINE (Electric Fans).

**Fitting:** 100mm (4") ducting.

**Size:** 23cm long x 24cm wide x 25cm high (9" x 9 1/2" x 9 3/4").

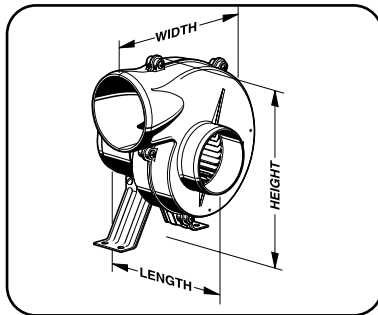
**Weight:** 3.2kg (7lb) dc  
4.1kg (9lb) AC

**For 7.1m³/min (250cfm) output - 12, 24, 115V.**

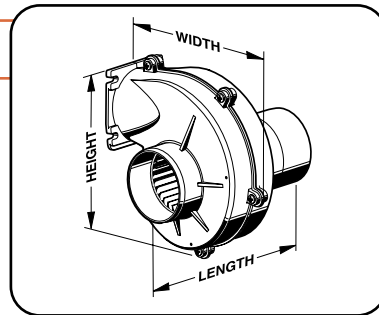
**35770-0092** 12 Volt dc Flexmount, fuse 15 amps.

**35770-0094** 24 Volt dc Flexmount, fuse 10 amps.

**36770-0115** 115 Volt AC 60Hz Flexmount, fuse 2 amps.

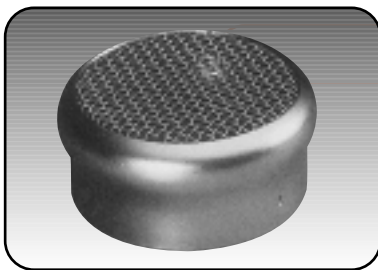


Flexmount



Flangemount

### Sizing Definitions



### Blower Intake Screen

Intake screens provide a protective blower cover on ventilation installations where blower rotors are exposed.

- Slip over the inlet ports on all 75mm (3") blowers.
- Fine mesh screen prevents foreign objects from damaging rotors.

■ Chrome plated bezel and stainless steel screen.

**Size:** 80mm wide x 20mm deep (3 1/4" x 3/4").

**Weight:** 0.3kg (0.65lb)

**34764-0000** Ventilator intake screen.



### Mounting Collars

Mounting collars assist in 75mm (3") hose installations.

- 34943 inlet collar converts any 75mm (3") Radial Blower to Inlet Flange Mounting.
- 34856 outlet collar allows 75mm (3") hose to be connected on the far side of a bulkhead from a flangemount blower.

**Size:** 80mm wide x 20mm deep (3 1/4" x 3/4").

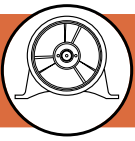
**Weight:** 0.15kg (0.32lb)

**34943-0000** Inlet collar.

**34856-0000** Outlet collar.

34943

34856



## Flangemount Blowers

Range of high volume air intake or extraction blowers for engine room, fuel compartment, galley or heads.

- Outlet flange mounts directly on bulkhead.
- Slip-on inlet ducting connection.
- Low current draw.
- Dimensionally stable quiet running Delrin rotors.
- Corrosion resistant materials throughout.
- ISO 8846 MARINE (Ignition Protection).
- ISO 9097 MARINE (Electric Fans).

### For 3m<sup>3</sup>/min (105cfm) output.

**Fitting:** 75mm (3") ducting.  
**Size:** 17cm long x 12cm wide x 14cm high  
 (6<sup>3</sup>/<sub>4</sub>" x 4<sup>3</sup>/<sub>4</sub>" x 5<sup>1</sup>/<sub>2</sub>").  
**Weight:** 1.8kg (4lb).

**35115-0020** 12 Volt dc Flangemount,  
fuse 6 amp.

### For 4.2m<sup>3</sup>/min (150cfm) output.

**Fitting:** 75mm (3") ducting.  
**Size:** 20cm long x 17cm wide x 20cm high  
 (8" x 6<sup>3</sup>/<sub>4</sub>" x 7<sup>3</sup>/<sub>4</sub>").  
**Weight:** 2.3kg (5lb).

**34739-0010** 12 Volt dc Flangemount,  
fuse 10 amp.

### For 7.1m<sup>3</sup>/min (250cfm) output.

**Fitting:** 100mm (4") ducting.  
**Size:** 22cm long x 22cm wide x 23cm high  
 (8<sup>3</sup>/<sub>4</sub>" x 8<sup>3</sup>/<sub>4</sub>" x 9").  
**Weight:** 2.7kg (6lb).

**35400-0000** 12 Volt dc Flangemount,  
fuse 15 amp.

**35400-0010** 24 Volt dc Flangemount,  
fuse 7.5 amp.



## Flexmount Blowers

Range of high volume air intake or extraction blowers for engine room, fuel compartment, galley or heads.

- Flexmounting for 360° adjustable outlet.
- Slip-on inlet and outlet ducting connections.
- Low current draw.
- Dimensionally stable, quiet running Delrin rotors.
- Corrosion resistant materials throughout.
- ISO 8846 MARINE (Ignition Protection).
- ISO 9097 MARINE (Electric Fans).

### For 3m<sup>3</sup>/min (105cfm) output.

**Fitting:** 75mm (3") ducting.  
**Size:** 17cm long x 13cm wide x 14cm high  
 (6<sup>3</sup>/<sub>4</sub>" x 5" x 5<sup>1</sup>/<sub>2</sub>").  
**Weight:** 1.6kg (3<sup>1</sup>/<sub>2</sub>lb).

**35515-0010** 12 Volt dc Flexmount,  
fuse 6 amp.

### For 4.0m<sup>3</sup>/min (140cfm) output.

**Fitting:** 75mm (3") ducting.  
**Size:** 21cm long x 20cm wide x 23cm high  
 (8<sup>1</sup>/<sub>4</sub>" x 7<sup>3</sup>/<sub>4</sub>" x 9").  
**Weight:** 2.3 kg (5lb)

**36740-0031** 115 Volt AC Flexmount,  
fuse 1.25 amp.

### For 4.2m<sup>3</sup>/min (150cfm) output.

**Fitting:** 75mm (3") ducting.  
**Size:** 20cm long x 21cm wide x 23cm high  
 (8" x 8<sup>1</sup>/<sub>4</sub>" x 9").  
**Weight:** 2.5kg (5<sup>1</sup>/<sub>2</sub>lb).

**36740-0000** 12 Volt dc Flexmount,  
fuse 10 amp.

**36740-0010** 24 Volt dc Flexmount,  
fuse 5 amp.

### For 7.1m<sup>3</sup>/min (250cfm) output.

**Fitting:** 100mm (4") ducting.  
**Size:** 23cm long x 24cm wide x 25cm high  
 (9" x 9<sup>1</sup>/<sub>2</sub>" x 9<sup>3</sup>/<sub>4</sub>").  
**Weight:** 3.2kg (7lb).

**35440-0000** 12 Volt dc Flexmount,  
fuse 15 amp.

**35440-0010** 24 Volt dc Flexmount,  
fuse 7.5 amp.

