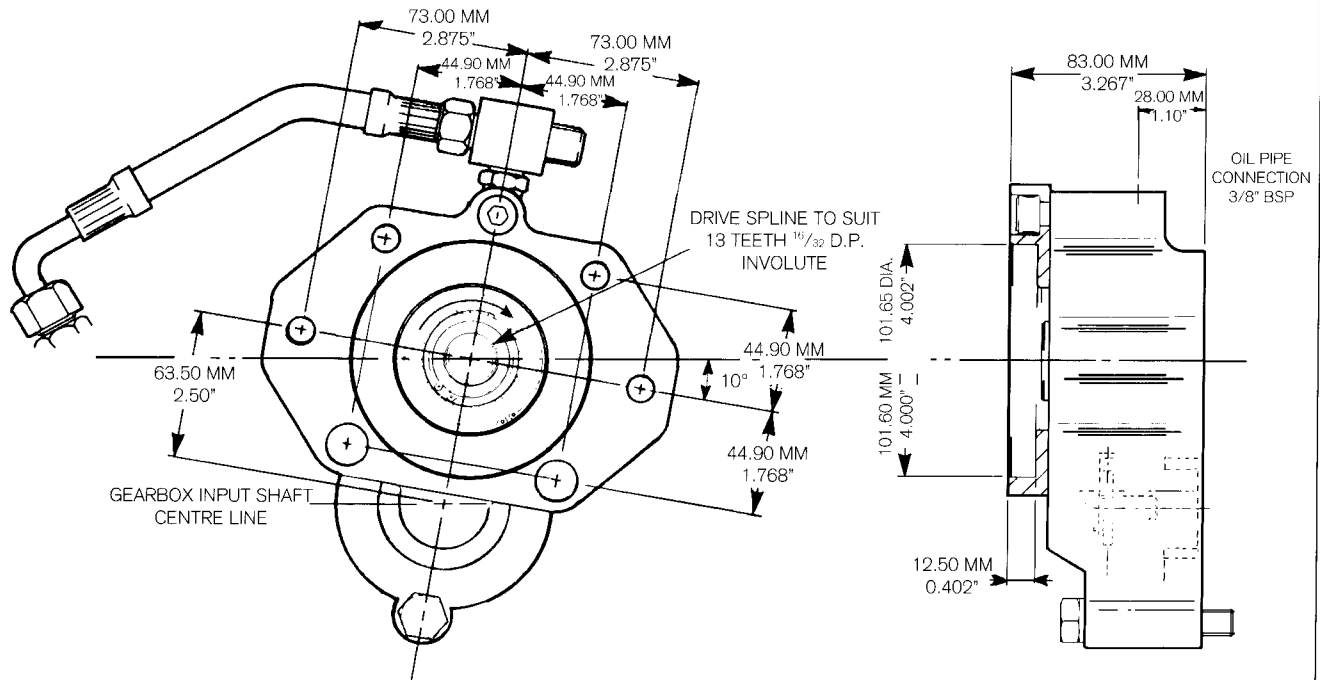


# INSTALLATION DETAILS - PRM500 & PRM750



**NOTE: PTO SHAFT ROTATES OPPOSITE TO ENGINE AT ENGINE SPEED.**

**IMPORTANT: WHEN GEARBOX FITTED WITH ANGLE DRIVE OR INLINE UNIT, PTO SHAFT ROTATES THE SAME AS ENGINE**