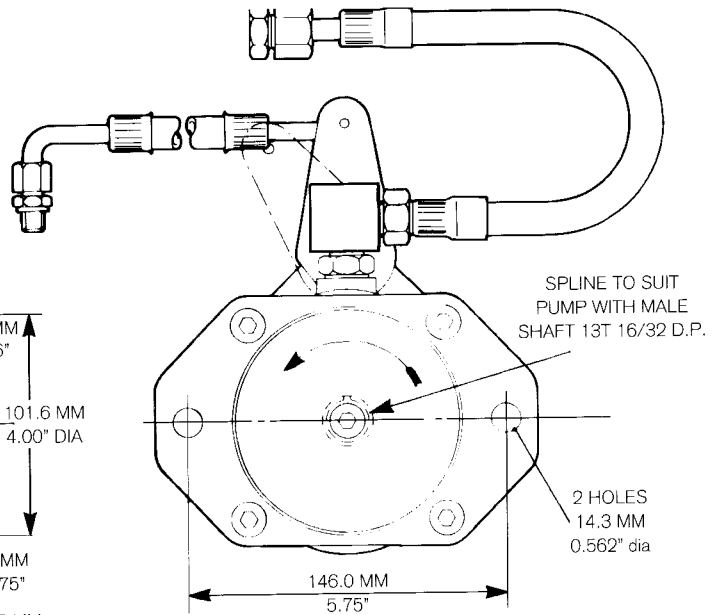
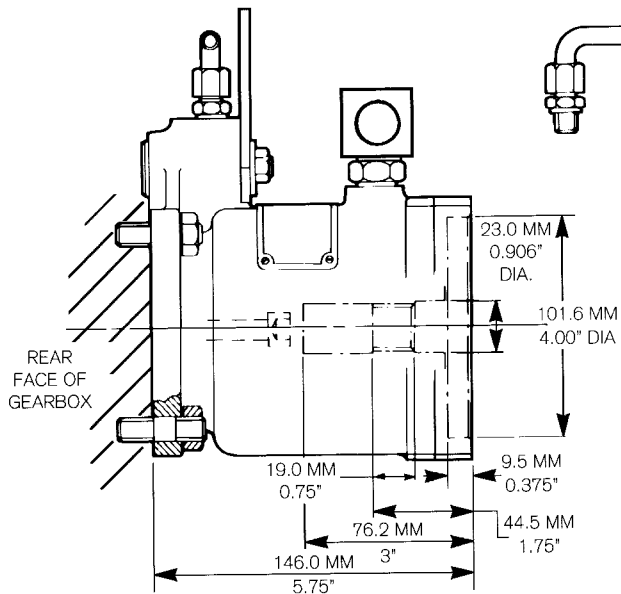


INSTALLATION DETAILS - PRM1000



NOTE: PTO SHAFT ROTATES SAME AS ENGINE AT ENGINE SPEED.

IMPORTANT: WHEN GEARBOX FITTED WITH ANGLE DRIVE, PTO SHAFT ROTATES OPPOSITE TO ENGINE

